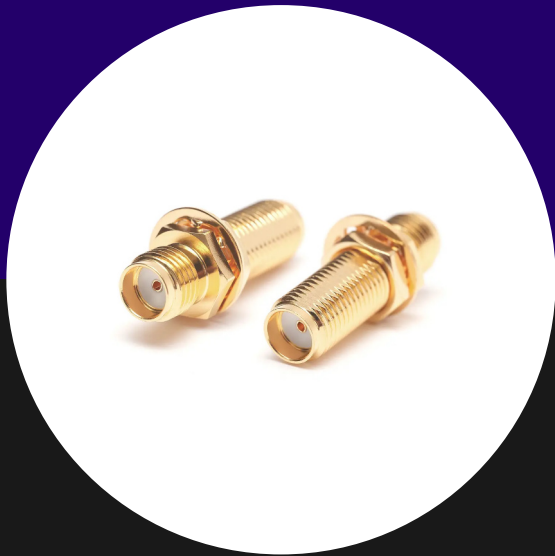


DATASHEET

ADSS047

RF Adapter



1. Features

- RF Adapter converts between a SMA (F) Jack to SMA (F) Jack
- Durable connector with >500 connect/disconnect cycles
- Low insertion loss

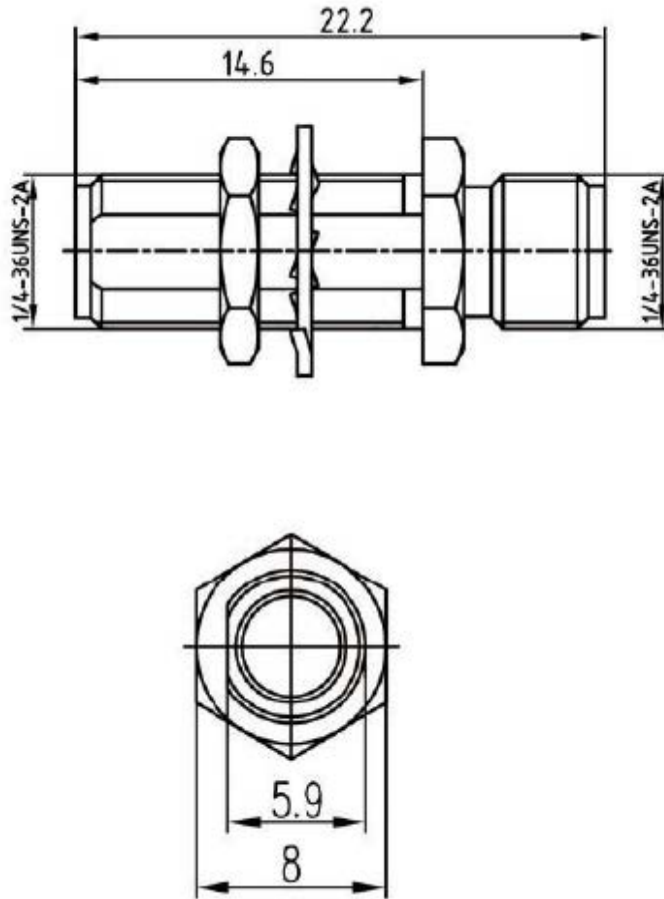
2. General data

Electrical	
Impedance	50Ω
Frequency Range	DC ~ 6GHz
Working Voltage	Max ≤ 335 Vrms
Dielectric Withstanding Voltage	1000 Vrms
Insulation Resistance	≥ 1000mΩ
Center Contact Resistance	≤ 10mΩ
Outer Contact Resistance	≤ 5mΩ
VSWR	≤ 1.2
Durability	>500 cycles
Mechanical	
Connector Dimensions	22mm * 8mm
Connector 1 Type	SMA Jack
Connector 2 Type	SMA Jack
Environmental	
Hazardous Material Regulation	RoHS compliant
Operating Temperature	-55oc to +155oc

3. Part number

ADSS047

4. Drawing



Item	Description	Material	Finish	QTY
1	Body	Brass	Gold	1
2	Insulator	PTFE	White	1
3	Contact pin	Beryllium Copper	Gold	1

Quality statements

Antenova's products conform to REACH and RoHS legislation. For our statements regarding these and other quality standards, please see [antenova.com](https://www.antenova.com).

Antenova reserves all rights to the contents of this document. Antenova gives no warranties based solely on the accuracy or completeness of the contents of this document and reserves the right to make changes to the specifications of the products described herein at any time and without notice.



Certificate No. 11070
ISO 9001

Datasheet version

2.02 release 10th June 2026

Antenna design, integration and test resources

Product designers – the details contained in this datasheet will help you to complete your embedded antenna design. Please follow our technical advice carefully to obtain optimum antenna performance.

We aim to support our customers to create high performance wireless products. You will find a wealth of design resources, calculators and case studies to aid your design on our website.

Antenuova's design laboratories are equipped with the latest antenna design tools and test chambers. We provide antenna design, test and technical integration services to help you complete your design and obtain the required certifications.

If you cannot find the antenna you require in our product range, please contact us to discuss creating a custom antenna to meet your exact requirements.

Share knowledge with RF Experts around the world

ask.antenuova is a global forum for designers and engineers working with wireless technology

[Visit Ask.Antenuova](#)

Visit antenuova.com

Order antenna samples and evaluation boards, and read our antenna resources

[Visit antenuova.com](http://antenuova.com)

Request a volume quotation for antennas:

sales@antenuova.com

+ 44 (0) 23 9400 1023

Global headquarters

Antenuova Ltd, 7 The Briars,
Waterberry Drive, Waterlooville,
Hampshire, PO7 7YH